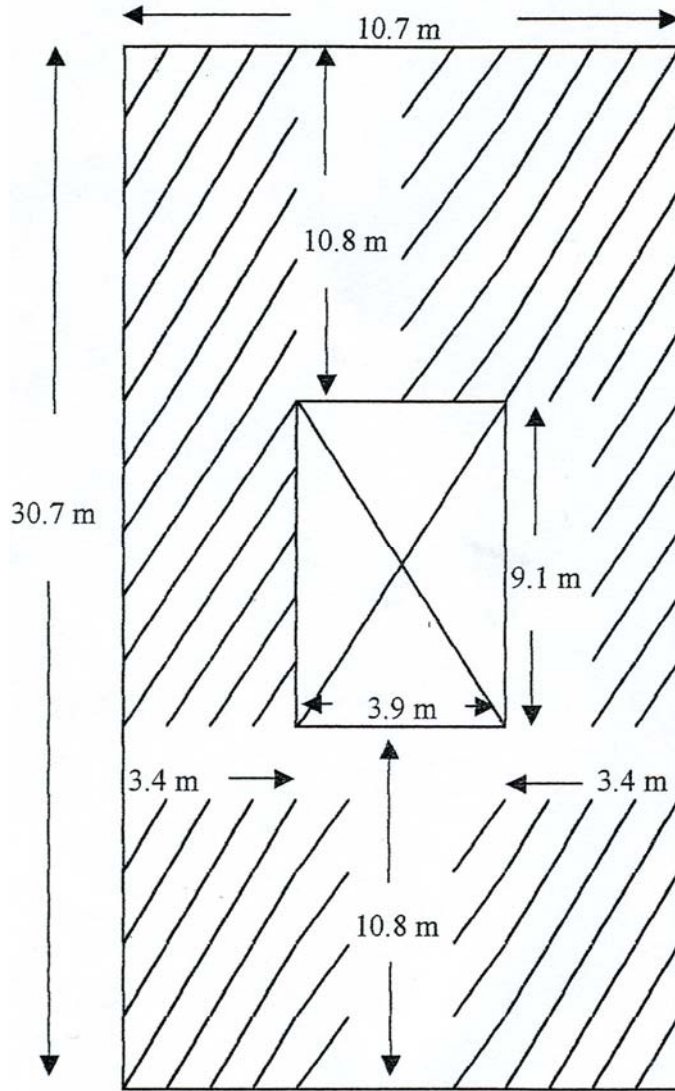


**XXX 公證行有限公司**  
**XXX SURVEYORS LTD.**

Certificate No.

**RAFT NO.**

**PLAN**



= Raft safety fishing area 魚排安全垂釣位置